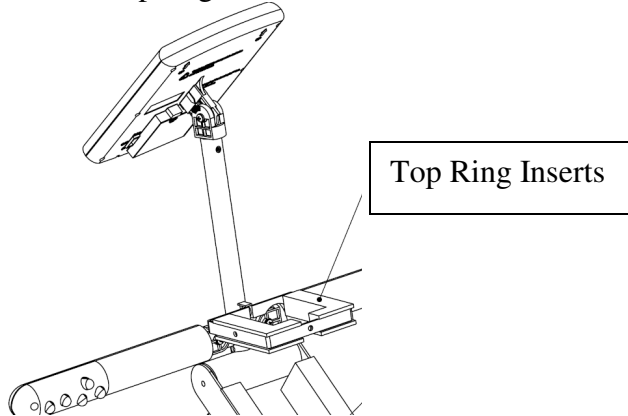


Dear Customer,

Because the Dee Sign's #880 Frame is narrower than conventional wooden post frames, you will need to install the following inserts to secure the AgentsLight®. All you need is a flat screw driver or a ¼ hex screw driver to install them.

A80 inserts instructions steps:

1. **Top Ring Insert Installation (DONE):** For your convenience we have preinstalled the two top ring wooden inserts.



NOTE: If you need to detach them in the future use a flat screw driver to remove the. After removing the wooden insert, we recommend putting the screws back into the wooden inserts to prevent them from getting lost.

2. **Lock Arm Inserts installation:** There are two wooden Lock Arm Inserts that do not come pre-installed due to packaging constraints. Both of these inserts are identical and come with a screw. The *Round Notch* is oriented towards the *Locking Pin* before screwing the Lock Arm Wooden insert to each Lock arm. Screw the wooden inserts to the Lock Arms through the existing holes.

